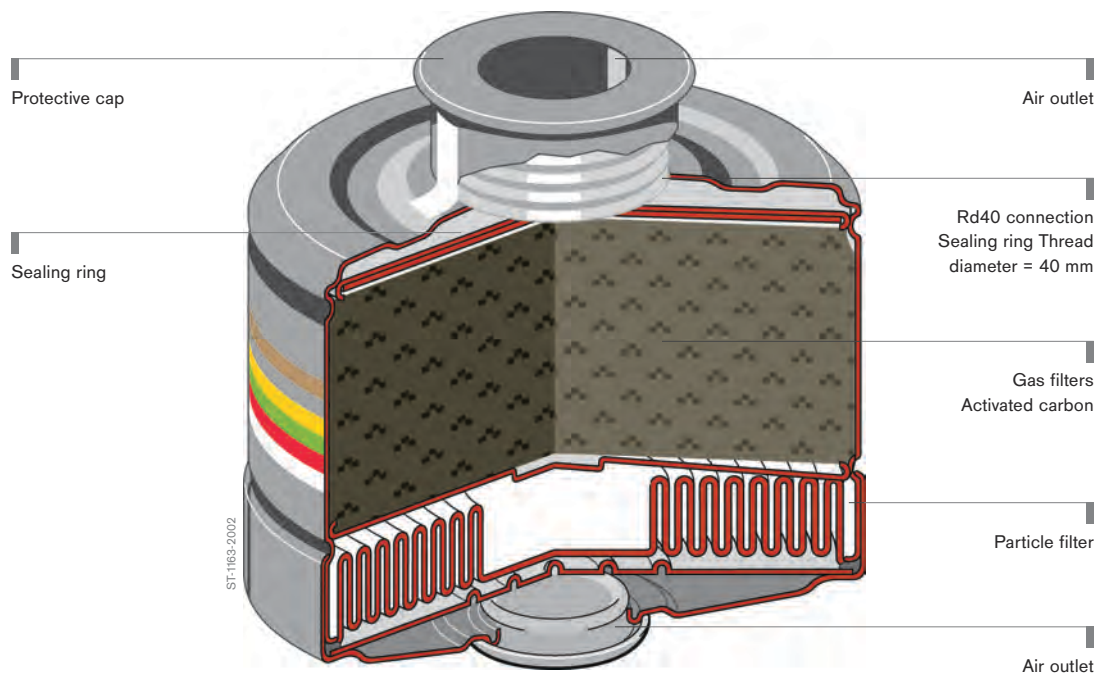


Dräger X-plore® Rd40 Filters Filter

Whether used in chemical industry or automobile industry, shipbuilding, metal processing industry, or by public utility services—for decades Dräger respiratory protection filters have been a synonym for experience and safety worldwide. They clean breathable air from contaminants in a low-cost and effective manner.



Benefits

Broad filter range

The Dräger X-plore® Rd40 filter series offers various filter types for major applications and protects against many hazardous substances – from phosphine to tear gas to particulates.

Long life

The gas filters and combination filters have a shelf-life of six years, and the particle filters have a shelf life of twelve years from date of manufacture.

Resealable individual packaging

The filters are packed individually to ensure optimum protection, and the packaging is resealable for storage.

Supporting filter selection

The Dräger VOICE database of hazardous substances offers comprehensive support for selecting filters.

Aluminum housing

The aluminum housing ensures that any damage to the filter is easily detected, providing extra security.

CE marking

All filters are CE-marked in accordance with EN 14387 and/or EN 143:2000.

Related Products



ST-7497-2005

Dräger X-plore® 6300

The Dräger X-plore® 6300 is an efficient, low-cost full face breathing mask intended for price-conscious users not wishing to compromise comfort or quality. This full face mask is the successor to the Panorama Nova Standard, a mask which has proven itself over decades of use worldwide—redesigned and improved with fresh colors and an integrated bar code.



ST-17453-2008

Dräger X-plore® Bayonet Filters

Experience a new dimension of comfort and safety in respiratory protection: the Dräger X-plore® Twinfilter series. It sets the benchmark in comfort and use. The utilization of modern materials, coupled with an attractive design, guarantees maximum comfort and user acceptance.



ST-7501-2005

Dräger X-plore® 6570

The Dräger X-plore® 6570 is the high-comfort silicone full face mask used by professionals in a wide variety of applications. It meets the highest demands of quality, reliability, secure fit, and comfort. This full face mask is the successor to the Panorama Nova masks, a range which has proven itself over decades of use worldwide.



ST-7499-2005

Dräger X-plore® 6530

Especially durable with wide panoramic view: Dräger X-plore® 6530 is an exceptional full face mask for professional use in the most versatile applications.

Related Products



Dräger CDR 4500

The Dräger CDR 4500 full face mask, combined with our CBRN Cap 1 canister, provides a CBRN approved combination specially developed for use in civil defense and civil protection.

Technical Data

FILTER COLOUR CODING

Colour	Filter Type	Main field of application
brown	AX	Gases and vapors of organic compounds with boiling point ≤ 65 °C / 149 °F
brown	A	Gases and vapors of organic compounds with boiling point > 65 °C / 149 °F
grey	B	inorganic gases and vapors, e.g. chlorine, hydrogen sulfide, hydrogen cyanide
yellow	E	Sulfur dioxide, hydrogen chloride
green	K	Ammonia
black	CO	Carbon monoxide
red	Hg	Mercury vapor
blue	NO	Nitrous gases, including nitrogen monoxide
orange	Reactor	Radioactive iodine including radioactive methyl iodide
white	P	Particles

Ordering Information

FILTER TYPE	ORDER CODE
Particle Filters	
1140 P3 R (incinerable) also approved as filter TH/M3 P SL R (EN 12941/12942) for Dräger X-plore® 7500	67 38 932
Gas Filters	
940 A2	67 38 855
940 A2B2	67 38 779
1140 AX	67 38 863
1140 AXB2*	67 38 782
940 E2	67 38 796
940 K2	67 38 856
940 A2B2E2K1	67 38 802
1140 A2B2E2K2*	67 38 804
Combination Filters	
940 A2 P2 R D	67 38 857
1140 A2 P3 R D also approved as filter TH/M3 A2 P SL R (EN 12941/12942) for Dräger X-plore® 7500	67 38 860
940 A2B2 P2 R D	67 38 780
1140 A2B2 P3 R D also approved as filter TH/M3 A2B2 P SL R (EN 12941/12942) for Dräger X-plore® 7500	67 38 783
1140 AX P3 R D	67 38 862
940 K2 P2 R D	67 38 858
940 A2B2E2K1 P2 R D	67 38 803
1140 A2B2E2K1 Hg P3 R D	67 38 815
1140 A2B2E2K2 Hg P3 R D* also approved as filter TH/M3 ABEK2 Hg P SL R	67 38 797

Ordering Information

(EN 12941/12942) for Dräger X-plore® 7500

1140 A1B2E2K1 Hg NO P3 R D / CO 20 P3 R D*	67 38 801
--	-----------

1140 A2B2E2K2 Hg NO P3 R D / CO 20 P3 R D*	67 38 814
--	-----------

Special Filters

1140 A2 P3 R D / Reactor/Nuclear P3 R D	67 38 871
---	-----------

1140 A2 P3 R D / Reactor* (incinerable)	67 39 060
---	-----------

*Only use in conjunction with full face masks as filter weight >300g

Marking D: for successfully passed dolomite test

Marking R: Reusable - protection for more than one work shift

Not all products, features, or services are for sale in all countries.
Mentioned Trademarks are only registered in certain countries and not necessarily in the country in which this material is released. Go to www.draeger.com/trademarks to find the current status.

CORPORATE HEADQUARTERS
Drägerwerk AG & Co. KGaA
Moislinger Allee 53-55
23558 Lübeck, Germany
www.draeger.com

Customer Service:
USA
+1 800-4DRAGER
(+1 800-437-2437)

CANADA
+1 877-DRAGER1
(+1 877-372-4371)

Technical Service:
USA
+1 800-4DRAGER
(+1 800-437-2437)

Locate your Regional
Sales Representative at:
www.draeger.com/contact

